

## AROB – DSS OMEGA

This studio stand fulfils everything that is expected of a stand in the modern studio. It combines many characteristics of DSS ALPHA and of the legendary all-purpose ASABA stand for a very agreeable price.

### Technical data:

Standard floor height:	max. 2.85 m
Standard lifting capacity (without additional counterweight):	11 kg (24 lbs)
Beam length: (without spigots)	110 cm
Weight:	128 kg (282 lbs)

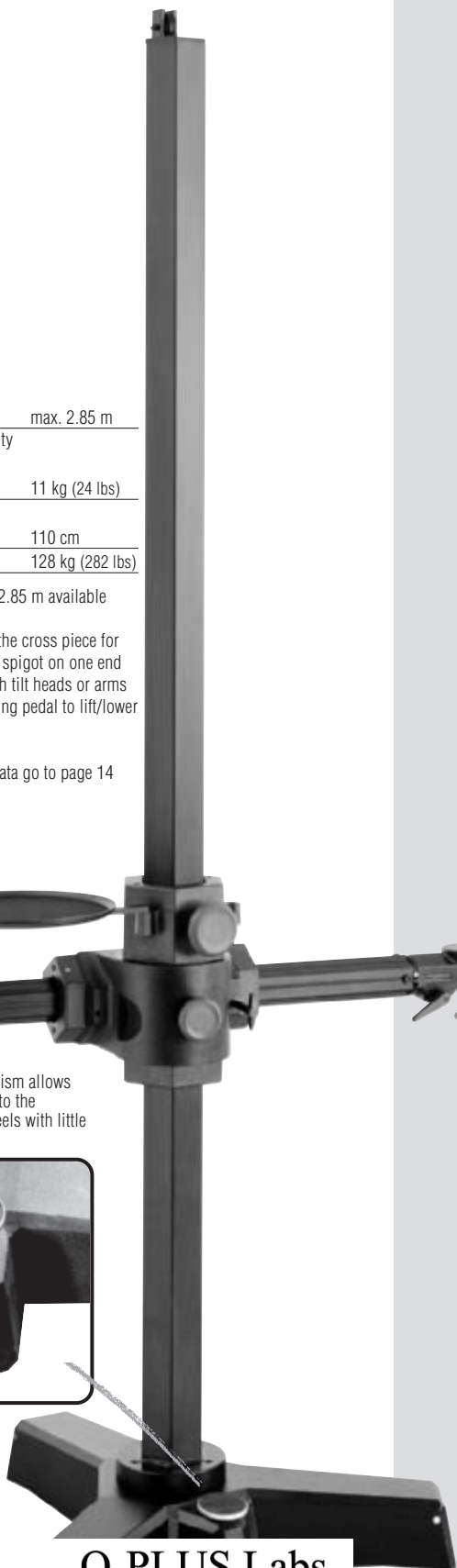
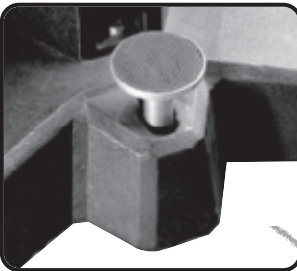
Custom height below 2.85 m available on request.

Includes 2 fittings on the cross piece for all-purpose trays; one spigot on one end of the beam onto which tilt heads or arms can be mounted; rotating pedal to lift/lower the stand.

For further technical data go to page 14

### Rotating pedal

This sophisticated mechanism allows the stand to be lowered onto the floor or raised onto its wheels with little effort.



### AROB

Rotating platform, to be inserted onto the beam's spigot. 360° rotation and clamping. Spigot friction adjustable with two socket screws. Clamp can be mounted on both sides of the unit. Built-in rotation gauge on the spigot allows precise repetition of settings.

Camera thread:	standard 3/8 " (on request 1/4")
Weight:	1.3 kg (2.9 lbs)



### ARBEO

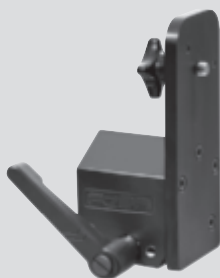
Extended rotating platform, to be inserted onto the beam's spigot. The camera axis is lowered to correspond approximately to the beam axis.

This has two advantages:

- the rotating axis goes through the camera's gravity center, no matter how it is positioned, which simplifies the setting of the camera
- thanks to the low center of gravity, there is much less risk of the camera's toppling over when mounted in a wrong way.

360° rotation and clamping. Spigot friction adjustable with two socket screws. Clamp can be mounted on both sides of the unit.

Height variation:	16 cm
Camera thread:	standard 3/8 " (on request 1/4")
Weight:	1.8 kg (4.0 lbs)



### ARBOE

Rotating upright, to be inserted onto the beam's spigot. The camera is screwed directly onto the upright and is thus perpendicular to the floor. This allows the studio stand to be used for photography reproduction. Two screws prevent the tipping of the camera. Spigot friction adjustable with two socket screws; clamp can be mounted on both sides of the unit.

Camera thread:	3/8 " (on request 1/4")
Weight:	1.1 kg (2.4 lbs)



### ARBAO

Crank-operated rotating platform, to be inserted onto the beam's spigot. Self-locking, rotates even the heaviest equipment accurately and without effort. The crank handle can be installed on both sides for better and individual convenience. Built-in rotation gauge in degrees allows precise repetition of settings.

For other characteristics, see extended rotating platform ARBEO.

Height variation:	16 cm
Camera thread:	standard 3/8 " (on request 1/4")
Tilt:	360°
Weight:	4 kg (8.8 lbs)



### ARBEA

Spigot extension, to be inserted onto the beam's spigot. Two clamping levers ensure great safety.

Length (without spigot):	60 cm
Spigot's outer diameter:	51 mm
Weight:	2.4 kg (5.3 lbs)



### ASGUO

Additional counterweight, to be screwed on underneath existing standard counterweight. Increases the standard lifting capacity, e.g. for heavy cameras or sensors. Several counterweights can be added in the same manner.

Diameter:	8.6 cm
Height:	12 cm
Thread:	M6
Weight:	5 kg (11.0 lbs)



### ARTEI

Lifting / lowering piece with own spigot, to be inserted onto the beam's spigot. For raising or lowering of equipment; usually mounted vertically.

Other platforms or extensions can be mounted on its own spigot. Spigot friction adjustable with two socket screws. Clamp can be mounted on both sides of the unit.

Additional height:	35 cm
Spigot's outer diameter:	51 mm
Weight:	3.5 kg (7.7 lbs)



## Q-PLUS Labs

13765-E Alton Pkwy  
Irvine, CA 92618-1627  
TEL (949) 380-7758  
FAX (949) 380-7790  
www.QPLUSLabs.com