

Stability in the studio – even for very demanding professionals

A FOBA studio stand is an essential appliance for every professional photographer with an eye for quality. Studio stands warrant great stableness and a shooting free of wobbling – even when working with big and heavy cameras or sensors. FOBA stands can be adjusted quickly and easily, and locked in place with great accuracy. For the photographer, this means decisive speed of action, top safety conditions, ergonomic handling and maximum efficiency. FOBA studio stands are characterized by highest stability and excellent balance. Vertical and horizontal displacements, supported by 24 state-of-the-art, individually adjustable ball bearings, are particularly smooth and precise. The exceptionally precise mechanical parts and the built-in rulers and gauges, embedded either in the vertical or the horizontal axis, depending on the model, guarantee exact reproducibility of all stand settings.

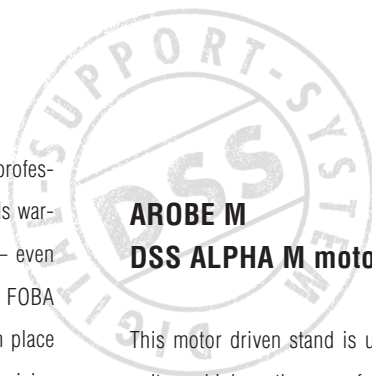
FOBA studio stands rest and move freely and smoothly on ball-bearing casters. The heavy cast-iron foot can be lifted and lowered without much effort with one central pedal. Once lowered, safety and stable positioning are ensured.

Three stand types to answer all needs

FOBA offers three studio stands sub ranges, designed to cover all possible photographic requirements. Whether for heavy professional 8x10" cameras with long barrels, mid-size or light-weight passport cameras, FOBA has the right studio stand for it (for a general view go to page 14).

FOBA studio stands: designed to and for work

FOBA's typical, almost emblematic hexagonal steel pipe has proved to be not only elegant but also functional; it ensures absolute twist-proof adjustment of cameras and appliances.



AROBE M DSS ALPHA M motor driven

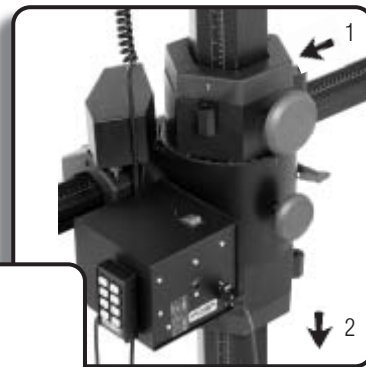
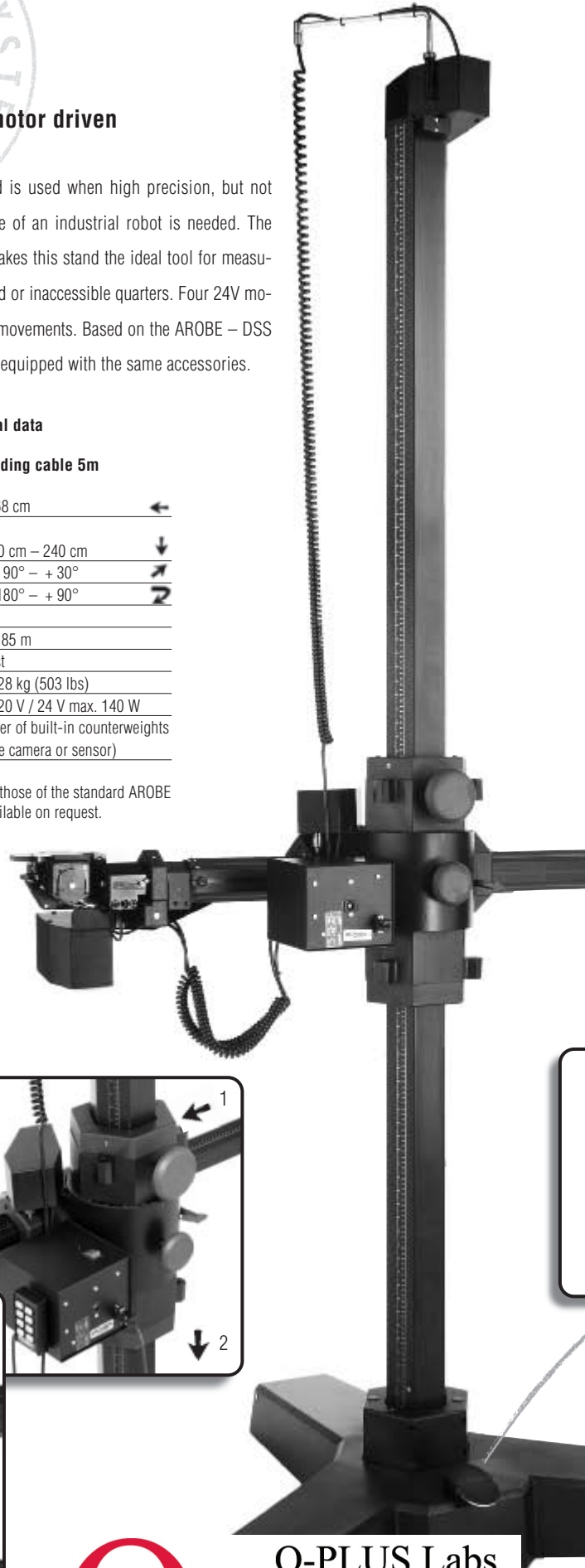
This motor driven stand is used when high precision, but not quite as high as the one of an industrial robot is needed. The cabled remote control makes this stand the ideal tool for measuring or shooting in closed or inaccessible quarters. Four 24V motors allow all necessary movements. Based on the AROBE – DSS ALPHA model, it can be equipped with the same accessories.

DSS ALPHA M: Technical data

4-channel control, including cable 5m

Horizontal beam displacement:	68 cm	←
Vertical displacement above floor:	60 cm – 240 cm	↓
Tilt:	- 90° – + 30°	↗
Pan:	-180° – + 90°	↻
<hr/>		
Standard floor height:	2.85 m	
Any other heights on request		
Weight:	228 kg (503 lbs)	
Power supply:	220 V / 24 V max. 140 W	
Load: On request (the number of built-in counterweights depends on the weight of the camera or sensor)		

Other characteristics match those of the standard AROBE model. Custom designs available on request.



Cabled remote control



Q-PLUS Labs
 13765-E Alton Pkwy
 Irvine, CA 92618-1627
 TEL (949) 380-7758
 FAX (949) 380-7790
 www.QPLUSLabs.com